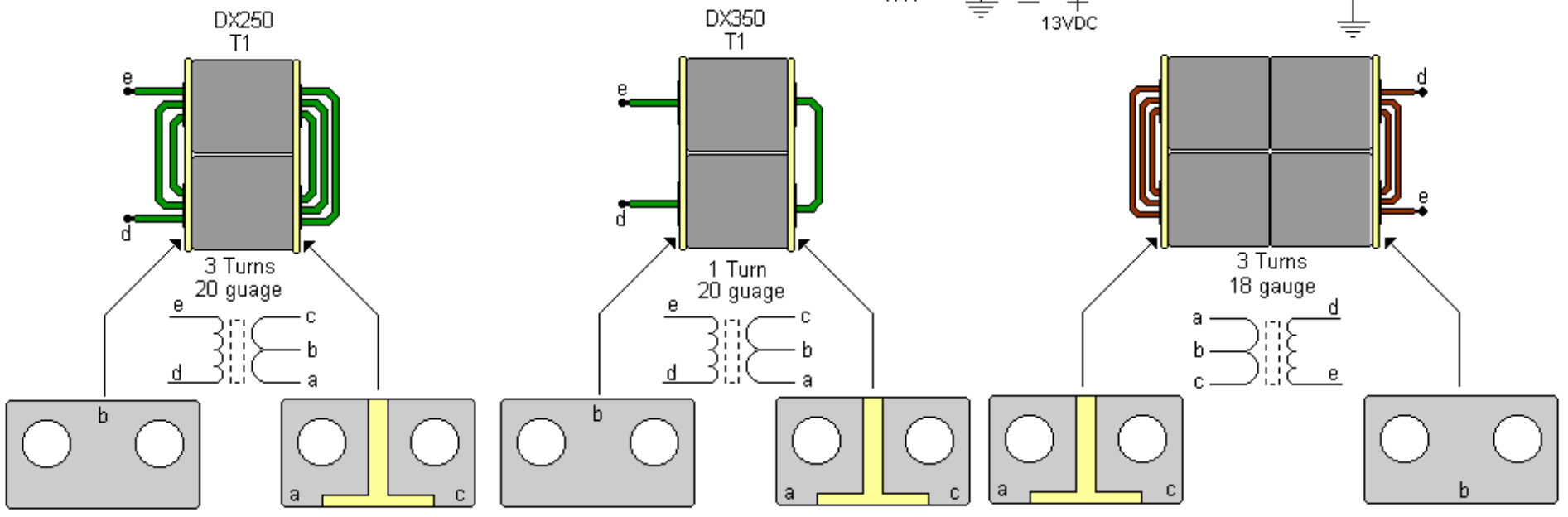
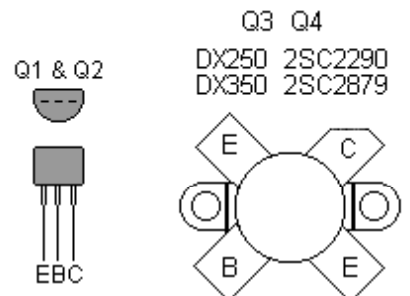
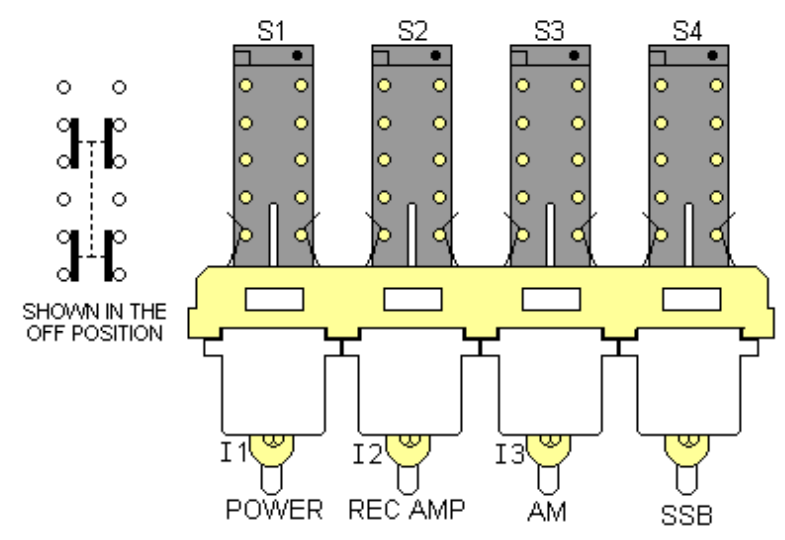


**RL1
BOTTOM VIEW**

5 9 8
7 6 10

Aromat
12T-12V-9-H1
Coil 12Vdc 185ohm
1A @ 125vac
2A @ 28vdc
OR
American Zettler
AZ428-1011-40LUS

ALL SWITCHES ARE SHOWN IN THE OFF POSITION



- NOTE:**
1. The wire colors used in this diagram will vary from the amp. Also the wire color will vary from amp to amp.
 2. The component type will vary from amp to amp see text for more information.
 3. This diagram is based on current production (2001) out of Texas Star.

Texas Star DX 250 & DX350 Amp
 CBTricks.com
 Rev. # 1.1
 Copyright © 2001, CBTricks.com All Rights Reserved
 Sep. 2001