

FIG. A

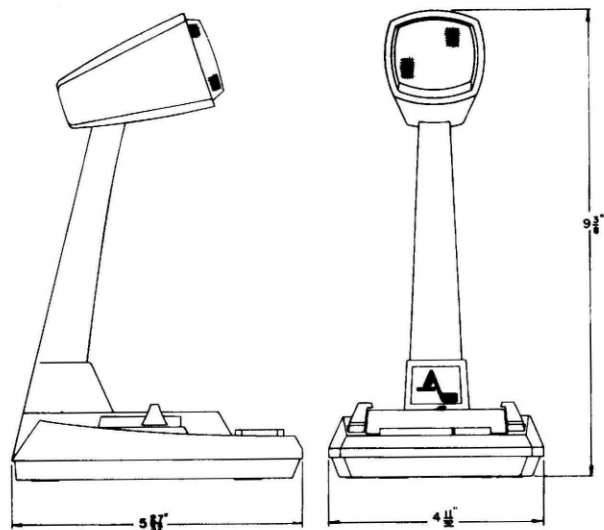


FIG. B

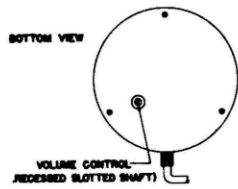
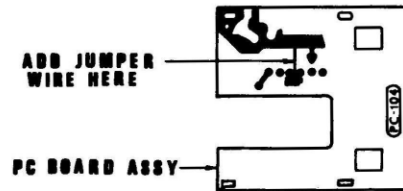


FIG. C



1104C AMPLIFIER BOARD

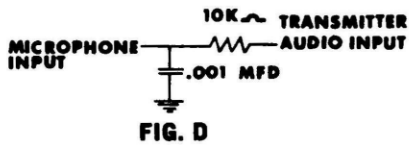


FIG. D

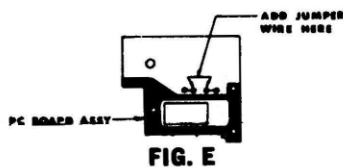
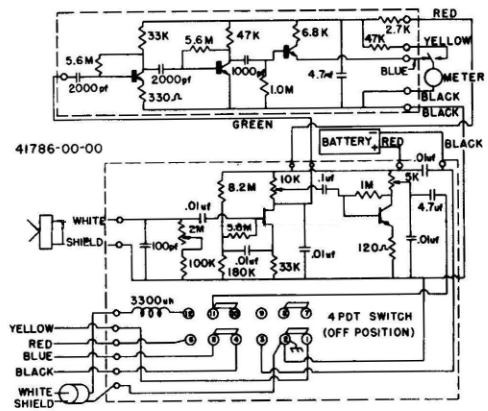
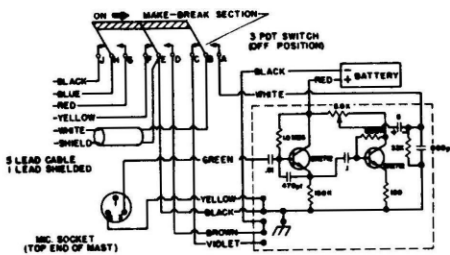


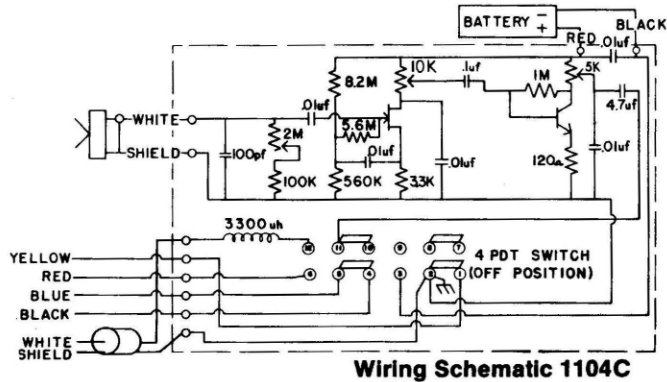
FIG. E



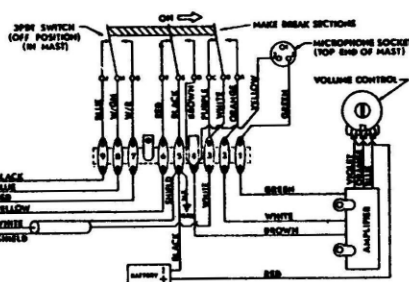
Wiring Schematic 1104CM



T-UP9 STAND SCHEMATIC
FIG. G



Wiring Schematic 1104C



T-UG9 GOLDEN EAGLE
FIG. I

TYPICAL D-104 RESPONSE - FREQUENCY CHARACTERISTICS

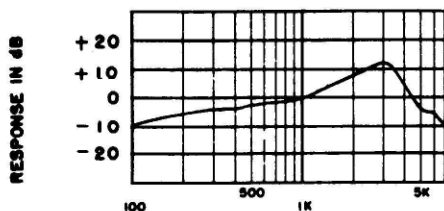


FIG. J

TYPICAL RESPONSE - FREQUENCY CHARACTERISTICS

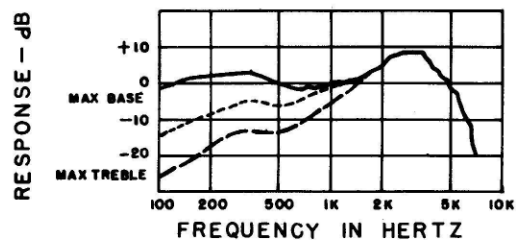


FIG. K



THE ASTATIC CORPORATION
CONNEAUT, OHIO 44030