

TSM57-075 - Permanent Magnet Stepper Motor



FEATURES

- **Permanent Magnet Stepper Motor**
- **57mm Diameter**
- **7.5 Degree Step Angle**
- **Up to 16.67 oz-in of Bipolar Holding Torque**
- **Customization Available for:**
 - **Winding Current to Optimize Torque**
 - **Shaft Options**
 - **Cables or Connectors**
- **RoHS Compliant and CE Certified**



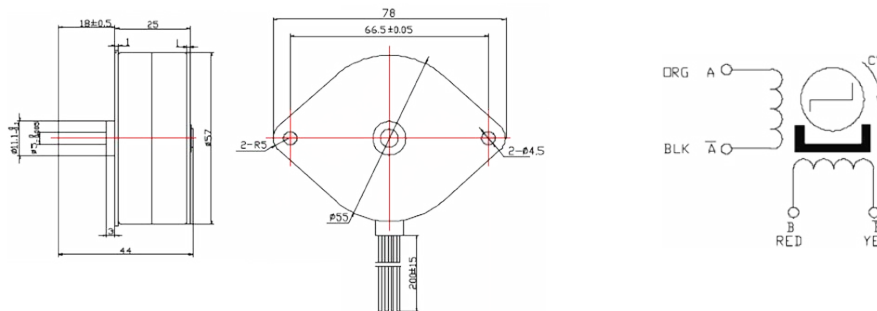
DESCRIPTION

These miniature Permanent Magnet DC Stepper Motors measure 49mm in diameter and provide up to 16.67 ounce-inches of bipolar holding torque. These motors come standard in a 7.5° step angle with a four-lead wire connection, and are offered in a 5V voltage rating. Customization is available for larger quantities.

SPECIFICATIONS

Item	# of Wires	# of Phases	Bipolar Holding Torque (oz-in)	Detent Torque (oz-in)	Bipolar Series RMS Voltage (V)	Current Per Phase (A)	Resistance Per Phase (ohms)	Rotor Inertia (oz-in-sec ²)	Weight (lbs)	Length (mm)
TSM49-075-30-5V-090A-LW4	4	2	16.67	5.90	5.6	0.625	9.0	0.000125	0.5	40

Step Angle Accuracy	±8% (Full Step, No Load)	Insulation Resistance	100ΩMin. 500 VDC
Resistance Accuracy	±10%	Dielectric Strength	500VAC for One Minute
Inductance Accuracy	±20%	Shaft Radial Play	0.06Max (450 g-load)
Temperature Rise	80°C Max	Shaft Axial Play	0.08Max (450 g-load)
Ambient Temperature	-20°C to +50°C		



*All units in mm

L010968